

A/C Disconnects - AI ACD

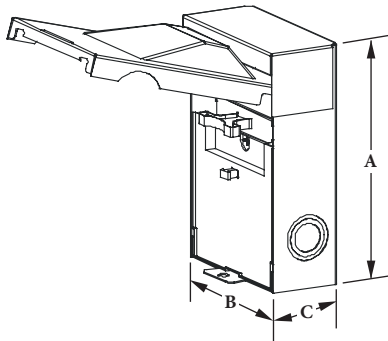


Stainless Steel Housing



Fusible

NON-Fusible



Specifications and Features

- Type 3R enclosure - rainproof
- Removable cover for easy access
- Six knockouts (up to 1") for more wiring options
- Snap-in dead front
- Single keyhole mounting makes level mounting easy
- Ample wiring space
- Turns on/off with removal of pull-out handle.
- 1 phase two wire design with ground lug
- Outdoor/240V/30 amp or 60 amp
- Lockable (lock not included)
- Steel post-fabrication powder coating (standard)
- Optional 316 Stainless housing

catalog number	description	rating	box qty.	dimensions (in.)		
				A	B	C
AI ACD-GFCI	60 Amp Non-Fusible A/C Disconnect with space for GFCI*	60 Amp Non-Fusible	8	10	6 1/2	3 1/2
AI ACD30NF	30 Amp Non-Fusible A/C Disconnect	30 Amp Non-Fusible	20	7 3/8	5 1/4	3 1/16
AI ACD60F	60 Amp Fusible A/C Disconnect	60 Amp Fusible	16	9 1/8	5 3/8	3 1/16
AI ACD60NFL	60 Amp Non-Fusible A/C Disconnect	60 Amp Non-Fusible	16	9 1/8	5 3/8	3 1/16
AI ACD60F-SS	Stainless Steel 60 Amp Fusible A/C Disconnect	60 Amp Fusible	16	9 1/8	5 3/8	3 1/16
AI ACD60NFL-SS	Stainless Steel 60 Amp Non-Fusible A/C Disconnect	60 Amp Non-Fusible	16	9 1/8	5 3/8	3 1/16

* (Includes provisions, less GFCI receptacle)